

411



PCT

WORLD INTELLECTUAL PROPERTY ORGANIZATION
International Bureau

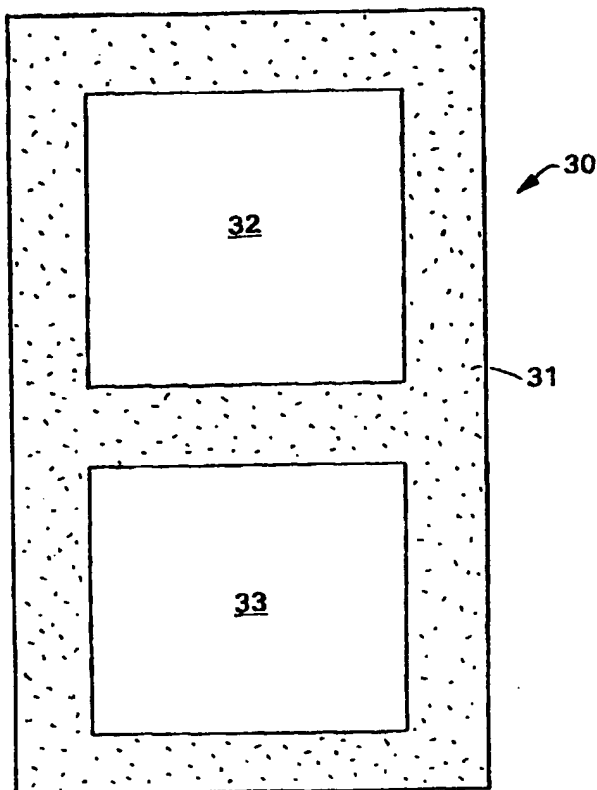
INTERNATIONAL APPLICATION PUBLISHED UNDER THE PATENT COOPERATION TREATY (PCT)

<p>(51) International Patent Classification ⁶ : A47K 7/02, 10/16, D21H 27/40, B32B 29/00</p>	<p>A1</p>	<p>(11) International Publication Number: WO 97/47227 (43) International Publication Date: 18 December 1997 (18.12.97)</p>
<p>(21) International Application Number: PCT/US97/09753 (22) International Filing Date: 10 June 1997 (10.06.97) (30) Priority Data: 60/019,712 13 June 1996 (13.06.96) US 08/715,666 18 September 1996 (18.09.96) US (71) Applicant: KIMBERLY-CLARK WORLDWIDE, INC. [US/US]; 401 North Lake Street, Neenah, WI 54956 (US). (72) Inventors: WIN, Maug, Hla; 1071 Reed Street, Neenah, WI 54956 (US). BURAZIN, Mark, Alan; 817 South Daybreak Drive, Appleton, WI 54915 (US). ENGEL, Steven, Alexander; 184 Rickers Bay Road, Neenah, WI 54956 (US). KRESSNER, Bernhardt, Edward; 531 North Bateman, Appleton, WI 54911 (US). LLOYD, William, Dec; Apartment 111, 111 East Water Street, Appelton, WI 54911 (US). SCHULTZ, Walter, Theodore; N9650 Shepherd Lane, Appleton, WI 54915 (US). (74) Agents: CROFT, Gregory, E. et al.; Kimberly-Clark World-wide, Inc., 401 North Lake Street, Neenah, WI 54956 (US).</p>	<p>(81) Designated States: AL, AM, AT, AU, AZ, BA, BB, BG, BR, BY, CA, CH, CN, CU, CZ, DE, DK, EE, ES, FI, GB, GE, HU, IL, IS, JP, KE, KG, KP, KR, KZ, LC, LK, LR, LS, LT, LU, LV, MD, MG, MK, MN, MW, MX, NO, NZ, PL, PT, RO, RU, SD, SE, SG, SI, SK, TJ, TM, TR, TT, UA, UG, UZ, VN, ARIPO patent (GH, KE, LS, MW, SD, SZ, UG), Eurasian patent (AM, AZ, BY, KG, KZ, MD, RU, TJ, TM), European patent (AT, BE, CH, DE, DK, ES, FI, FR, GB, GR, IE, IT, LU, MC, NL, PT, SE), OAPI patent (BF, BJ, CF, CG, CI, CM, GA, GN, ML, MR, NE, SN, TD, TG).</p> <p>Published <i>With international search report. Before the expiration of the time limit for amending the claims and to be republished in the event of the receipt of amendments.</i></p>	

(54) Title: WATER-DISPERSIBLE WET WIPE

(57) Abstract

A premoistened wet wipe provides functional wet strength in use, yet is dispersible if flushed down the toilet so that plumbing and sewage treatment facilities do not become clogged. A particular embodiment of the wipe consists of three uncreped through-air-dried tissue plies that are attached to each other by edge embossing. The two outer plies contain a wet strength agent to provide wet poke-through resistance to two large, centrally-located unembossed regions. The center ply contains no wet strength agent to aid in dispersibility. The embossing around the edges of the wipe further degrades the strength of the wipe in the embossed areas to assist in dispersibility when the wipe is flushed.



FOR THE PURPOSES OF INFORMATION ONLY

Codes used to identify States party to the PCT on the front pages of pamphlets publishing international applications under the PCT.

AL	Albania	ES	Spain	LS	Lesotho	SI	Slovenia
AM	Armenia	FI	Finland	LT	Lithuania	SK	Slovakia
AT	Austria	FR	France	LU	Luxembourg	SN	Senegal
AU	Australia	GA	Gabon	LV	Latvia	SZ	Swaziland
AZ	Azerbaijan	GB	United Kingdom	MC	Monaco	TD	Chad
BA	Bosnia and Herzegovina	GE	Georgia	MD	Republic of Moldova	TG	Togo
BB	Barbados	GH	Ghana	MG	Madagascar	TJ	Tajikistan
BE	Belgium	GN	Guinea	MK	The former Yugoslav Republic of Macedonia	TM	Turkmenistan
BF	Burkina Faso	GR	Greece	ML	Mali	TR	Turkey
BG	Bulgaria	HU	Hungary	MN	Mongolia	TT	Trinidad and Tobago
BJ	Benin	IE	Ireland	MR	Mauritania	UA	Ukraine
BR	Brazil	IL	Israel	MW	Malawi	UG	Uganda
BY	Belarus	IS	Iceland	MX	Mexico	US	United States of America
CA	Canada	IT	Italy	NE	Niger	UZ	Uzbekistan
CF	Central African Republic	JP	Japan	NL	Netherlands	VN	Viet Nam
CG	Congo	KE	Kenya	NO	Norway	YU	Yugoslavia
CH	Switzerland	KG	Kyrgyzstan	NZ	New Zealand	ZW	Zimbabwe
CI	Côte d'Ivoire	KP	Democratic People's Republic of Korea	PL	Poland		
CM	Cameroon	KR	Republic of Korea	PT	Portugal		
CN	China	KZ	Kazakhstan	RO	Romania		
CU	Cuba	LC	Saint Lucia	RU	Russian Federation		
CZ	Czech Republic	LI	Liechtenstein	SD	Sudan		
DE	Germany	LK	Sri Lanka	SE	Sweden		
DK	Denmark	LR	Liberia	SG	Singapore		
EE	Estonia						

WATER-DISPERSIBLE WET WIPEBackground of the Invention

5 It is well known that wet wipes provide excellent cleaning. They
are used extensively for babies and also find a variety of uses for other
purposes. In the infant care area, such wet wipes are made of nonwoven
synthetic fibers, such as polypropylene, which are unaffected by the
water content in the wipe. Hence these products can be stored and used
without concern about the wet strength of the wipe. Unfortunately, this
10 desirable characteristic is also a detriment, since these wipes cannot
be safely disposed by flushing them down the toilet. While nonwoven
wipes may pass through the plumbing within in the home, they are apt to
clog service lateral pipes that have been penetrated by roots. If they
pass through the service laterals, such wipes may also clog sewage
15 treatment facilities by hanging up on the closely-space cross bars that
serve to filter out solid waste entering the facilities.

Consequently, for in-home use and in public restrooms, dry bath
tissue remains the only viable product. While readily dispersible, dry
bath tissues do not possess the cleaning ability of wet wipes. Therefore
20 there is a need for a wet wipe product that possess adequate
dispersibility so that it may be safely disposed of by flushing down the
toilet.

Summary of the Invention

25 It has now been discovered that a wet wipe can be made that has
sufficient wet strength and integrity while wet to be packaged and stored
while wet, yet has sufficient water dispersibility to break up into
sufficiently small pieces when flushed down the toilet after use so as
not to clog plumbing and sewage treatment facilities. This is

accomplished by incorporating several different features into the wet wipe such that a proper balance of properties is attained. First, multiple plies or sheets are brought together because multiple, low basis weight sheets will disperse more readily than a single, heavy basis weight sheet. Second, a wet strength agent is incorporated into the sheets to provide wet integrity during storage and in use. Third, uncreped through-air-dried sheets of papermaking fibers are used because these sheets possess high bulk when wet and thereby offer better cleaning. In combination with the wet strength agent, these sheets possess high poke-through resistance in use. Fourth, the multiple plies are attached together by mechanical embossing, at least around the edges of the wipe, in order provide integrity during storage and in use. At the same time, the embossing also weakens the sheets in the embossed areas to promote breakup during flushing and subsequent travel in the sewage system. Consequently the wipe is preferably embossed wherever poke-through strength is not needed. By leaving one or more relatively large unembossed regions in the central portions of the wipe where the user's fingers are most likely to put pressure for poking through, improved dispersibility is attained while preserving the functional strength needed to perform in use.

Hence in one aspect the invention resides in a water-dispersible wet wipe comprising at least two uncreped through-air-dried tissue sheets of papermaking fibers containing a wet strength agent and mechanically attached together along their edges by embossments sufficient to maintain the integrity of the wet wipe during use, said wipe having one or more centrally-located unembossed regions having an area of from about 1 to about 30 square inches, a moisture content of at least about 200 weight percent based on the weight of fiber, a Wet Burst Strength of about 100 grams or greater in the centrally-located unembossed regions, and a Dispersibility of from about 10 to about 100 percent.

Suitable uncreped through-air-dried tissue sheets can be made as described in co-pending application Serial No.08/614,420 filed March 8, 1996 in the names of F.J. Chen et al. entitled "Wet-Resilient Webs and Disposable Articles Made Therewith", herein incorporated by reference, and will be further described herein in connection with the Drawing. These sheets can have a basis weight of from about 10 to about 200 grams per square meter (gsm) per ply, more specifically from about 20 to about 70 gsm per ply. The basis weight of each sheet will depend in part on

the number of plies. As the number of plies increases, the basis weight of each ply can decrease. As examples, for a two-ply product, a suitable basis weight can be about 45 gsm per ply. For a three-ply product, a suitable basis weight can be about 25 gsm per ply. For a four-ply product, a suitable basis weight can be about 20 gsm per ply.

There are a number of materials commonly used in the paper industry to impart wet strength to paper and board that are applicable to this invention. These materials are known in the art as wet strength agents and are commercially available from a wide variety of sources. Any material that when added to a paper or tissue results in providing a tissue or paper with a wet strength:dry strength ratio in excess of 0.1 will, for purposes of this invention, be termed a wet strength agent. Typically these materials are termed either as permanent wet strength agents or as "temporary" wet strength agents. For the purposes of differentiating permanent from temporary wet strength, permanent will be defined as those resins which, when incorporated into paper or tissue products, will provide a product that retains more than 50% of its original wet strength after exposure to water for a period of at least five minutes. Temporary wet strength agents are those which show less than 50% of their original wet strength after exposure to water for five minutes. Both classes of material find application in the present invention. The amount of wet strength agent added to the pulp fibers can be at least about 0.1 dry weight percent, more specifically about 0.2 dry weight percent or greater, and still more specifically from about 0.1 to about 3 dry weight percent based on the dry weight of the fibers.

Permanent wet strength agents will provide a more or less long-term wet resilience to the structure. This type of structure would find application in products that would require long-term wet resilience such as in paper towels and in many absorbent consumer products. In contrast, the temporary wet strength agents would provide structures that had low density and high resilience, but would not provide a structure that had long-term resistance to exposure to water or body fluids. While the structure would have good integrity initially, after a period of time the structure would begin to lose its wet resilience. This property can be used to some advantage in providing materials that are highly absorbent when initially wet, but which after a period of time lose their integrity. This property could be used in providing "flushable" products. The mechanism by which the wet strength is generated has

little influence on the products of this invention as long as the essential property of generating water-resistant bonding at the fiber/fiber bond points is obtained.

The permanent wet strength agents that are of utility in the present invention are typically water soluble, cationic oligomeric or polymeric resins that are capable of either crosslinking with themselves (homocrosslinking) or with the cellulose or other constituent of the wood fiber. The most widely-used materials for this purpose are the class of polymer known as polyamide-polyamine-epichlorohydrin (PAE) type resins. These materials have been described in patents issued to Keim (U.S. 3,700,623 and 3,772,076) and are sold by Hercules, Inc., Wilmington, Delaware, as Kymene 557H. Related materials are marketed by Henkel Chemical Co., Charlotte, North Carolina and Georgia-Pacific Resins, Inc., Atlanta, Georgia.

Polyamide-epichlorohydrin resins are also useful as bonding resins in this invention. Materials developed by Monsanto and marketed under the Santo Res label are base-activated polyamide-epichlorohydrin resins that can be used in the present invention. These materials are described in patents issued to Petrovich (U.S. 3,855,158; U.S. 3,899,388; U.S. 4,129,528 and U.S. 4,147,586) and van Eenam (U.S. 4,222,921). Although they are not as commonly used in consumer products, polyethylenimine resins are also suitable for immobilizing the bond points in the products of this invention. Another class of permanent-type wet strength agents are exemplified by the aminoplast resins obtained by reaction of formaldehyde with melamine or urea.

The amount of wet strength agent added to the uncreped through-air-dried sheet can be from about 1 to about 15 kilograms per metric ton of fiber, more specifically from about 2 to about 10 kilograms per metric ton. The amount will depend, among other things, on the basis weight of the sheet and the types of fibers in the sheet.

The amount of liquid in the wet wipes of this invention, based on the dry weight of the wipe, can be at least about 100 percent weight percent, more specifically from about 100 to about 700 weight percent, and still more specifically from about 250 to about 550 weight percent. In general, there must be sufficient liquid to enhance cleaning, but preferably not so much as to drip when in use. The composition of the liquid within the wipes can be any adequately preserved aqueous

surfactant solution, including solutions commonly used in currently commercially available wet wipes.

For purposes herein, the Wet Burst Strength is determined by using a tensile tester to measure the force necessary to cause the sample to burst or tear. In general, the test sample is secured and suspended horizontally. A foot descends onto the sample until it tears. The instrument records the peak load required to tear the sample. An average peak load for a representative number of samples is the Wet Burst Strength.

The Wet Burst Strength of the unembossed regions of the wet wipes of this invention can be about 100 grams or greater, more specifically from about 100 to about 200 grams or greater, and still more specifically from about 110 to about 140 grams or greater.

As used herein, the Dispersibility is the histogram area-percent of fragments smaller than 2.2 centimeters equivalent circular diameter, taken at the 80-minute level of agitation, as determined in the test method described below in connection with Figures 4 and 5. The Dispersibility of the wet wipes of this invention can be from about 10 to 100 percent, more specifically from about 20 to about 100 percent, more specifically from about 40 to about 100 percent, more specifically from about 60 to 100 percent, still more specifically from about 80 to 100 percent and still more specifically from about 60 to about 85 percent.

Brief Description of the Drawings

Figure 1 is a schematic flow diagram of a method for making uncreped through-air-dried tissue sheets suitable for use in the products of this invention.

Figure 2 is a schematic plan view of a wet wipe of this invention, illustrating a suitable embossing pattern.

Figure 3 is a schematic plan view of a wet wipe of this invention, illustrating another suitable embossing pattern.

Figure 4 is a schematic view of the set-up for dispersing a sample to measure Dispersibility.

Figure 5 is a schematic view of the optical measurement set-up for measuring the particle size distribution of a dispersed sample.

Figure 6 is a schematic representation of the apparatus used to measure the Wet Burst Strength.

Detailed Description of the Drawing

Referring to Figure 1, shown is a method for making throughdried paper sheets in accordance with this invention. (For simplicity, the various tensioning rolls schematically used to define the several fabric runs are shown but not numbered. It will be appreciated that variations from the apparatus and method illustrated in Figure 1 can be made without departing from the scope of the invention). Shown is a twin wire former having a layered papermaking headbox 10 which injects or deposits a stream 11 of an aqueous suspension of papermaking fibers onto the forming fabric 13 which serves to support and carry the newly-formed wet web downstream in the process as the web is partially dewatered to a consistency of about 10 dry weight percent. Additional dewatering of the wet web can be carried out, such as by vacuum suction, while the wet web is supported by the forming fabric.

The wet web is then transferred from the forming fabric to a transfer fabric 17 traveling at a slower speed than the forming fabric in order to impart increased stretch into the web. Transfer is preferably carried out with the assistance of a vacuum shoe 18 and a fixed gap or space between the forming fabric and the transfer fabric or a kiss transfer to avoid compression of the wet web.

The web is then transferred from the transfer fabric to the throughdrying fabric 19 with the aid of a vacuum transfer roll 20 or a vacuum transfer shoe, optionally again using a fixed gap transfer as previously described. The throughdrying fabric can be traveling at about the same speed or a different speed relative to the transfer fabric. If desired, the throughdrying fabric can be run at a slower speed to further enhance stretch. Transfer is preferably carried out with vacuum assistance to ensure deformation of the sheet to conform to the throughdrying fabric, thus yielding desired bulk and appearance.

The level of vacuum used for the web transfers can be from about 3 to about 15 inches of mercury (75 to about 380 millimeters of mercury), preferably about 5 inches (125 millimeters) of mercury. The vacuum shoe (negative pressure) can be supplemented or replaced by the use of positive pressure from the opposite side of the web to blow the web onto the next fabric in addition to or as a replacement for sucking it onto the next fabric with vacuum. Also, a vacuum roll or rolls can be used to replace the vacuum shoe(s).

While supported by the throughdrying fabric, the web is final dried to a consistency of about 94 percent or greater by the throughdryer 21 and thereafter transferred to a carrier fabric 22. The dried basesheet 23 is transported to the reel 24 using carrier fabric 22 and an optional carrier fabric 25. An optional pressurized turning roll 26 can be used to facilitate transfer of the web from carrier fabric 22 to fabric 25. Suitable carrier fabrics for this purpose are Albany International 84M or 94M and Asten 959 or 937, all of which are relatively smooth fabrics having a fine pattern.

Figure 2 is a schematic plan view of a wet wipe in accordance with this invention. Shown is a wet wipe 30 having an embossed region 31 and two unembossed regions 32 and 33 essentially surrounded by the embossed region. As shown, the embossed region contains a plurality of individual embossments which comprise an embossing pattern of closely-spaced dots. These embossments serve to attach the plies of the wet wipe together along their edges to provide integrity to the multi-ply wipe in storage and in use. It is believed to be particularly important that the edges of the various plies be sufficiently attached to each other so that the user does not inadvertently separate them as the wipe is withdrawn from its container or package. To do so, it is preferred, and in some cases necessary, that embossing be carried out in such a manner as to perforate the individual plies. This method of embossing is sometimes referred to as "perf embossing" and provides stronger ply-to-ply attachment than ordinary embossing. Embossing of the plies can be carried out prior to wetting of the sheets or after.

While many embossing patterns can be used to attach the plies together, the embossing pattern used for HI-DRY® kitchen towels, manufactured by Kimberly-Clark Corporation, works very well. This embossing pattern consists of a multiplicity of dots, approximately 0.050 inch in diameter, spaced apart by about 5/32 inch. However, any embossing pattern that provides ply attachment and degrades the strength of the sheet in the embossed area sufficient to enhance dispersibility can be used.

As illustrated in Figure 2, there are two relatively large unembossed regions. These are the regions of the wet wipe most likely to receive finger pressure during use and therefore are stronger, as measured by the Wet Burst Strength, than the surrounding weakened embossed area. A typical wipe can be approximately 5 inches by 7 inches

in size. For the embodiment shown in Figure 2, each of the unembossed areas are about 10 square inches in area. In use, the user can fold the wet wipe over upon itself such that the two unembossed areas overlay each other, thereby doubling the Wet Burst strength of the wipe to prevent
5 poke through.

While having two relatively large unembossed regions is preferred as illustrated in Figure 2, other unembossed configurations can also be utilized. The unembossed regions can be any size or shape, provided they have sufficient area to protect the user's hand/fingers during use. In
10 addition, it is possible to provide lines of weakness within the unembossed regions to promote breakup during flushing or travel within the sewage system. It is highly desirable to have the wet wipe break up into pieces sufficiently small to pass through the sewage treatment facility without difficulty. Since the wipe is preferably entirely or
15 substantially made of cellulosic fibers, it is readily biodegradable so there are no long term disposal concerns.

Figure 3 is a schematic plan view of another embodiment of a wet wipe in accordance with this invention similar to that illustrated in Figure 2, but having three unembossed regions 35, 36 and 37. As the
20 number of unembossed regions increases, the size of the unembossed regions decreases, thereby offering the potential to improve break-up of the wipe in the sewer system.

Referring now to Figures 4 and 5, the method for determining the Dispersibility will be described. A 1500-milliliter glass beaker 40 is
25 placed on a Nuova II magnetic stir plate 41 and filled with 1000 milliliters of distilled water. A 3-inches long magnetic stir bar 42 is placed in the bottom of the beaker. The sample 43 to be tested, measuring 5 inches by 7 inches, is placed in the beaker and stirred rapidly to produce a 2-inches deep vortex, illustrated by distance "D" in
30 Figure 4. The stirring periods are 5, 10, 20, 40, and 80 minutes, separated by measurements as described below. If the sample becomes hung up on the stir bar, the time is stopped, the sample freed, and the time is resumed.

Referring to Figure 5, the contents of the beaker are periodically
35 decanted into a 12 inches by 16 inches by 3 inches high clear Plexiglass® tray 51, which is placed on a black photodrape background on the table of a Kreonite® macroviewer with a 60 inches long pole (G. Kelly, Darien, Illinois). The fragments sample are illuminated by four low-angle

incident flood lamps 52, 53, 54 and 55. The fragments are imaged with a 20 mm. nikon lens 56 attached to a Chalnicon scanner 57 and a Leica Quantimet 970 Image Analysis System (Leica Corp., Deerfield, Illinois). The sample fragments 58 are "teased" apart to avoid touching and the

5 routine "WALLY1" (described below) is run to perform the analysis, which provides a histogram of the sample fragment size. The tray contents are then poured back into the beaker and the agitation is continued. In this manner samples are taken and measured for each of the stirring periods to determine the extent to which the sample breaks apart as a function of

10 the stirring time.

The routine "WALLY1" is as follows:

```

Cambridge Instruments QUANTIMET 970 QUIPS/MX: V08      USER:
ROUTINE : WALLY1   DATE: 25-APR-96          RUN : 0   SPECIMEN :

15   Enter specimen identity
      Scanner      (No. 1 Chalnicon LV= 1.96 SENS= 2.83 PAUSE)
      Load Shading Corrector (pattern - BONDPA)
      Calibrate User Specified (Cal Value = 0.05773 centimeters per pixel)

20   SUBRTN STANDARD
      Scanner      (No. 1 Chalnicon LV= 1.96 SENS= 2.83 PAUSE)
      Image Frame (Pause) is Rectangle ( X: 88, Y: 94, W: 681, H: 516, )
      Live Frame is Standard Live Frame
      Detect 2D (Lighter than 12, Delin PAUSE )
25   Amend      (Open by 1 )
      Edit (pause) EDIT
      Measure feature AREA          X.FCP      Y.FCP
          with limits 0.250 (= AREA      ( 1666.
          into array FEATURE ( of 1000 features and 5 parameters )
30   FEATURE CALC := ( ( 4. * AREA / PI ) 0.50000 )
      Distribution of COUNT v AREA (Units SQ CM )
          from FEATURE in HISTO1 from 0.250 to 250.0
          in 15 bins (LOG)
      Print " "
35   Print " "
      Print Distribution ( HISTO1, differential, bar chart, scale = 0.00)
      Print " "
      Print " "
      Print Distribution ( HISTO2, -cumulative, bar chart, scale = 0.00)
40   END OF PROGRAM

```

From the histogram printed from the last line of the WALLY1 routine, "Dispersibility" is the area-percent of fragments smaller than 2.2 centimeters based on equivalent circular diameter (square root of (4

45 times the area divided by "pi"), taken at the 80-minute level of agitation.

Figure 6 is a schematic cross-sectional view of the apparatus used to measure the Wet Burst Strength. Shown is the sample web 61 to be tested, a hollow cylindrical metal sample stand 62, a magnetic ring 63 that secures the sample to the sample stand, and a contact foot or
5 probe 64 mounted to the crosshead of the tensile tester (not shown).

The tensile tester is equipped with a computerized data-acquisition system that is capable of calculating peak load and energy between two predetermined distances (15-60 millimeters). The load cell should be chosen so that the peak load values fall between 10 and 90 percent of the
10 full-scale load for the material being tested. Suitable tensile testers are available from Instron Corporation, Canton, MA 02021 and Sintech, Inc., Research Triangle Park, NC 27709-4226.

The test is carried out in a standard laboratory atmosphere of about 23°C. and about 50 percent relative humidity. The test instrument should
15 be mounted on a table free of vibrations to avoid ending the test prematurely. The sample is draped across the opening of the sample stand and secured with the magnetic ring. The inside diameter of the sample stand is 2.5 inches and the inside diameter of the magnetic ring is 2.82 inches. The probe is aluminum and has a length of 4.5 inches, a diameter
20 of 0.50 inch and a radius of curvature at the end of 0.25 inch. During the test, the probe is lowered onto the sample at a rate of 16 inches per minute until the sample tears. The peak load (grams) is the wet burst strength for the sample. A representative number of samples should be tested to obtain an average value, which is the Wet Burst Strength.

25

Examples

Example 1. A low density uncreped throughdried sheet was produced using wet resilient fibers (Tembec 525/80 spruce BCTMP) without a wet strength agent as illustrated in Figure 1. More specifically, the fiber
30 was pulped at about 2.9% consistency in the hydropulper for about 60 minutes. The fiber was pumped into a stock chest and diluted to about 1.0% consistency. A sheet of 26 gsm dry weight was formed on an Albany 94M forming fabric and dewatered with 9 inches (229 millimeters) of mercury vacuum. The forming fabric was traveling at 75 fpm (.38 meters
35 per second). The sheet was transferred at a 25% rush transfer to a Lindsay 952-S05 transfer fabric traveling at 60 fpm (.30 meters per second). The vacuum in the transfer between the forming fabric and transfer fabric was 9 inches (229 millimeters) of mercury.

The sheet was vacuum transferred at 11 inches (279 millimeters) of mercury to a throughdryer fabric (Lindsay T116-1) traveling at the same speed as the transfer fabric, 60 fpm (.30 meters per second). The sheet and throughdryer fabric traveled over a fourth vacuum at 11 inches
5 (279 millimeters) of mercury just prior to entering into a Honeycomb throughdryer operating at 291°F (144°C) and dried to a final dryness of 94-98% consistency.

A three-ply wet wipe was made from a center ply of the basesheet described above, and two outer plies of a basesheet made as above with
10 the addition of 2 kg/mt Kymene 557 LX and 1 kg/mt of Parez 631 NC. The three plies were cut into sheets approximately 10' x 16" (3.1 m x 41 cm) and were stacked on top of each other. The outer plies were oriented such that the sides of the outer plies which contacted the through-air-dried fabric were facing out. The three sheets were then fed by hand
15 into the embossing nip, creating a three-ply dry wipe with the postage stamp pattern (Figure 2). The outside region of this pattern has an embossing area 7/8" wide. An embossing area 9/16" wide runs through the center of the pattern in the CD direction. This pattern creates two unembossed areas 2-3/4" x 3-1/2". The embossing process is accomplished
20 by using a matched female/male embossing roll with the male pattern engaged into the female pattern 0.050 inches. Depending upon the thickness of the sheet, this engagement will vary. Wipe sizes of 5" x 7" were then cut from the embossed 7-3/4" x 5-1/4" embossed sheets, placed in stacks and then wet-out using a solution of 98.4% distilled water,
25 1.0% Phospholipid PTC, 0.4% Germol 2, and 0.2% sodium benzoate. A stack of 10 wipes was then placed into a plastic container and placed onto a scale and tared. Solution was then added using a small squeeze bottle at 330% of the dry stack weight. The plastic container was closed and samples placed in a refrigerated room until testing.

30 Examples 2-3 (This Invention). Wet wipes having different basis weights were made as described in Example 1. A two-ply wet wipe was made with a basis weight of 44 gsm per ply (Example 2). A three-ply wet wipe was made having a basis weight of 22 gsm per ply (Example 3).

35 Example 2. In order to further illustrate this invention, an uncreped throughdried tissue was produced using the method substantially as illustrated in Figure 1. More specifically, three-layered, single-ply tissue was made in which the outer layers comprised dispersed, debonded Cenibra eucalyptus fibers and the center layer comprised

unrefined northern softwood bleached chemithermomechanical pulp (BCTMP) fibers.

Prior to formation, the eucalyptus fibers were pulped for 15 minutes at 10 percent consistency and dewatered to 30 percent consistency. The
5 pulp was then fed to a Maule shaft disperser operated at 70°C. with a power input of 2.6 kilowatt-days per metric ton.

The BCTMP fibers were pulped for 20 minutes at 4.6 percent consistency and diluted to 2.8 percent consistency after pulping, while the dispersed, debonded eucalyptus fibers were diluted to 2 percent
10 consistency. The overall layered sheet weight was split 12.5%/75%/12.5% among the dispersed eucalyptus/BCTMP/dispersed eucalyptus layers. Kymene 557 LX was added to the center layer at 6 kg/mt of pulp based on the center layer, and to the outer layers at 1.5 kg/mt of pulp based on the outer layer.

15 A four-layer headbox was used to form the wet web with the BCTMP stock in the two center layers of the headbox to produce a single center layer for the three-layered product described. Turbulence-generating inserts recessed about 75 millimeters from the slice, and layer dividers extending about 150 millimeters beyond the slice were employed. Flexible
20 lip extensions extending about 150 millimeters beyond the slice were also used, as taught in U.S. Patent No. 5,129,988 issued July 4, 1992 to Farrington, Jr. et al. entitled "Extended Flexible Headbox Slice With Parallel Flexible Lip Extensions and Extended Internal Dividers", which is herein incorporated by reference. The net slice opening was about 23
25 millimeters and water flows in all four headbox layers were comparable. The consistency of the stock fed to the headbox was about 0.09 weight percent.

The resulting three-layered sheet was formed on a twin-wire, suction form roll, former with the forming fabric being Asten 866 fabric. The
30 speed of the forming fabric was 10.6 meters per second. The newly-formed web was then dewatered to a consistency of about 20-27 percent using vacuum suction from below the forming fabric before being transferred to the transfer fabric, which was traveling at 8.1 meters per second (30% rush transfer). The transfer fabric was an Appleton Wire
35 94M. A vacuum shoe pulling about 150-380 millimeters of mercury vacuum was used to transfer the web to the transfer fabric.

The web was then transferred to a throughdrying fabric (Lindsay Wire T116-3). The throughdrying fabric was traveling at a speed of about 8.1

meters per second. The web was carried over a Honeycomb throughdryer operating at a temperature of about 200°C. and dried to final dryness of about 94-98 percent consistency.

5 Example 3. Uncreped throughdried tissue was produced using the method as described in Example 2, with the following exceptions. More specifically, two-layered, single-ply tissue was made in which the layer dried in contact with the through-air-dried fabric comprised dispersed, debonded Cenibra eucalyptus fibers and the other layer comprised BCTMP fibers. Kymene 557 LX was added to the BCTMP layer at 10 kilograms per metric ton of pulp based on the BCTMP layer and to the eucalyptus layer 10 at 5 kg/mt. Additionally, Berocell 596 debonder was added to the eucalyptus layer (before the Kymene) at a rate of 5 kg/mt based on the eucalyptus layer.

15 A four-layer headbox was used to form the wet web with the BCTMP stock in the three outer forming fabric layers and the eucalyptus in the inner forming fabric layer of the headbox to produce the two-layered product described. The speed of the forming fabrics was 11.9 meters per second. The speed of the transfer fabric was 9.1 meters per second. The throughdrying fabric was traveling at a speed of about 9.1 meters per 20 second. The web was carried over a Honeycomb throughdryer operating at a temperature of about 180°C.

Samples from Examples 1-3 and samples of commercially-available products were tested for Dispersibility and Wet Burst Strength. The results are set forth in TABLE 1 below:

25

TABLE 1

	<u>Sample</u>	<u>Dispersibility</u>	<u>Wet Burst Strength</u>
30	Example 1	65	122
	Example 2	82	112
	Example 3	34	175
	HUGGIES Baby Wipe 1K0355B (Tub Code)	0	-
	HUGGIES Baby Wipe ML6151021 (Tub Code)	-	443
35	Scott Moist COTTONELLE 5 159 1M4 (Tub Code)	-	-
	Scott Moist COTTONELLE 5 272 1M4 (Tub Code)	-	444
	Scott Quilted BABY FRESH 504437 (Tub Code)	0	-
	Scott Quilted BABY FRESH 535322B (Tub Code)	-	435
40	BQUNTY Paper Towel	0	357
	HI-DR1 Paper Towel	0	128

The results illustrate that only the wet wipes of this invention possess the combination of adequate Wet Burst Strength and Dispersibility.

5 It will be appreciated that the foregoing description and examples, given for purposes of illustration, are not to be construed as limiting the scope of this invention, which is defined by the following claims and all equivalents thereto.

We claim:

1. A water-dispersible wet wipe comprising at least two uncreped through-air-dried tissue sheets of papermaking fibers containing a wet strength agent and mechanically attached together along their edges by embossments sufficient to maintain the integrity of the wet wipe during use, said wipe having one or more centrally-located unembossed regions having an area of from about 1 to about 30 square inches, a moisture content of at least about 200 weight percent based on the dry weight of fiber, a Wet Burst Strength of about 100 grams or greater in the centrally-located unembossed regions, and a Dispersibility of from about 10 to 100 percent.
2. The wet wipe of Claim 1 consisting of two uncreped through-air-dried sheets.
3. The wet wipe of Claim 1 consisting of three uncreped through-air-dried sheets.
4. The wet wipe of Claim 1 wherein the embossments comprise an embossing pattern of closely-spaced dots.
5. The wet wipe of Claim 1 wherein the embossments substantially surround two large unembossed regions.
6. The wet wipe of Claim 5 wherein each of the two large unembossed regions have an area of from about 5 to about 15 square inches.
7. The wet wipe of Claim 5 wherein each of the two large unembossed regions have an area of about 10 square inches.
8. The wet wipe of Claim 1 wherein the unembossed regions have a Wet Burst Strength of from about 100 to about 200 grams.
9. The wet wipe of Claim 1 having a Dispersibility of from about 20 to about 100 percent.

10. The wet wipe of Claim 1 having a Dispersibility of from about 40 to about 100 percent.

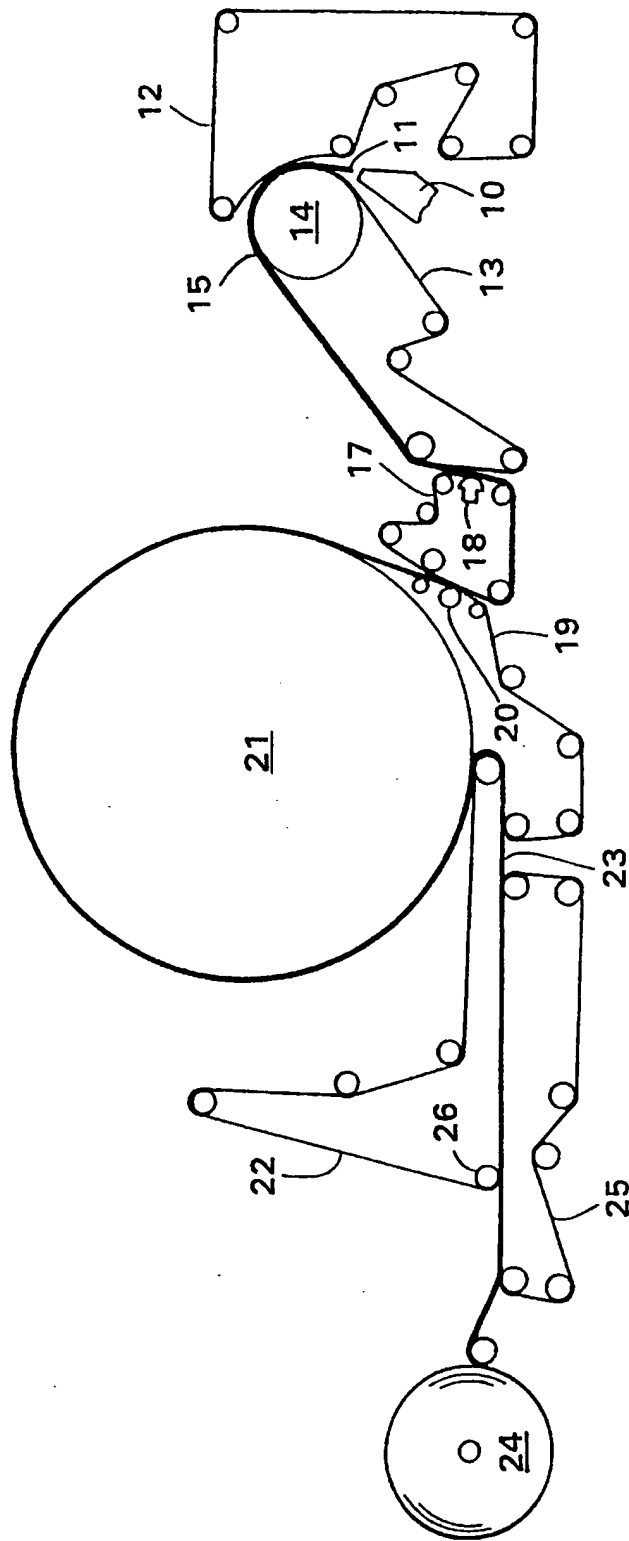


FIG. 1

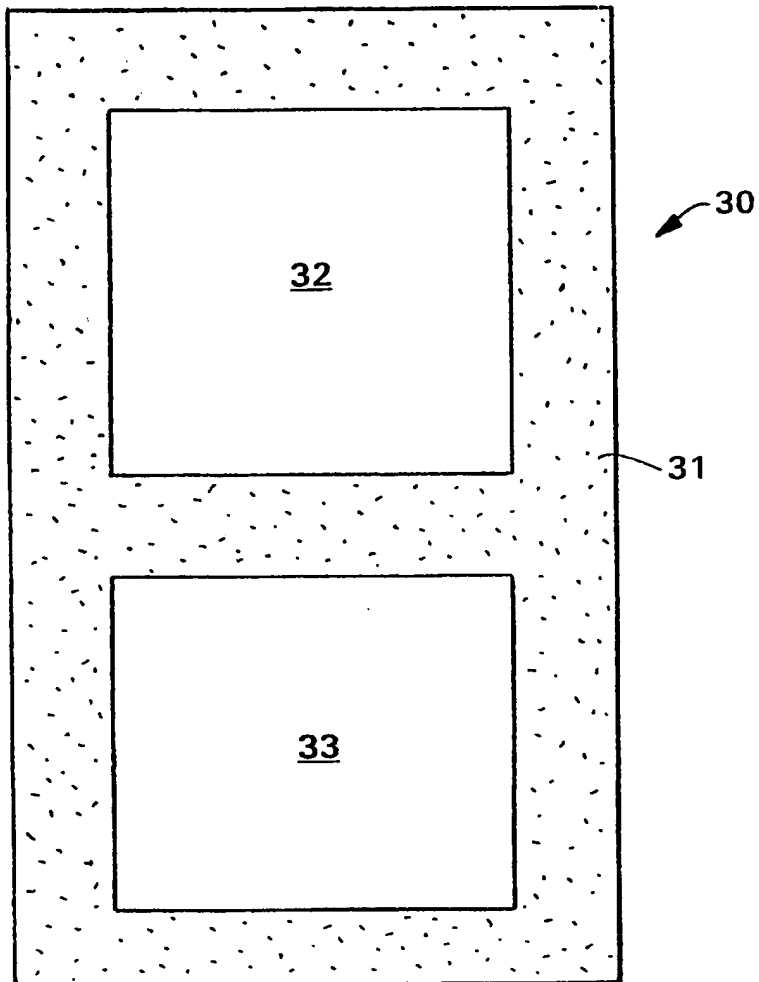


FIG. 2

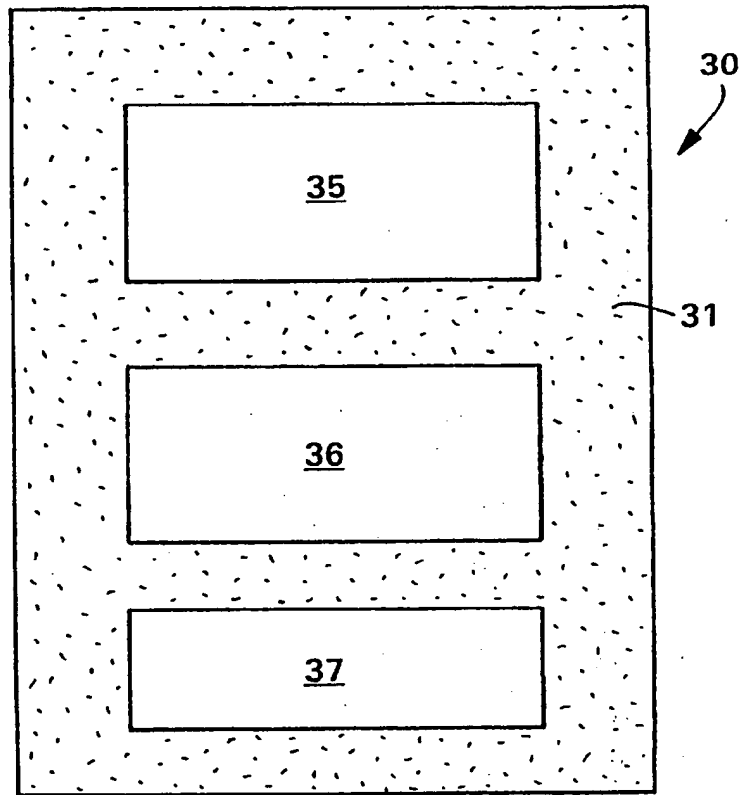


FIG. 3

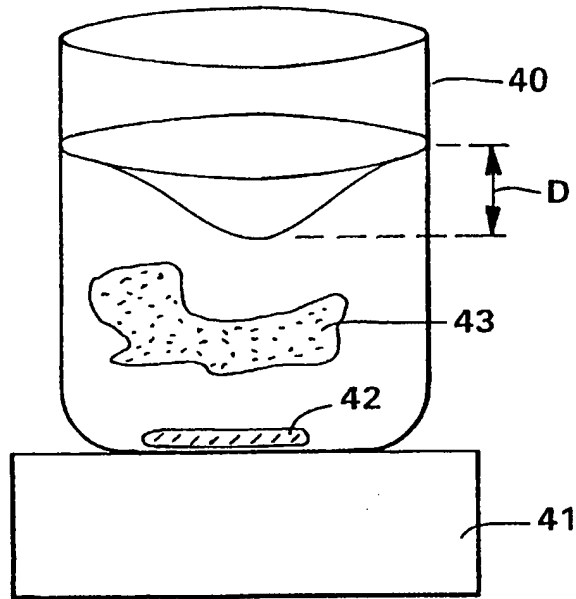


FIG. 4

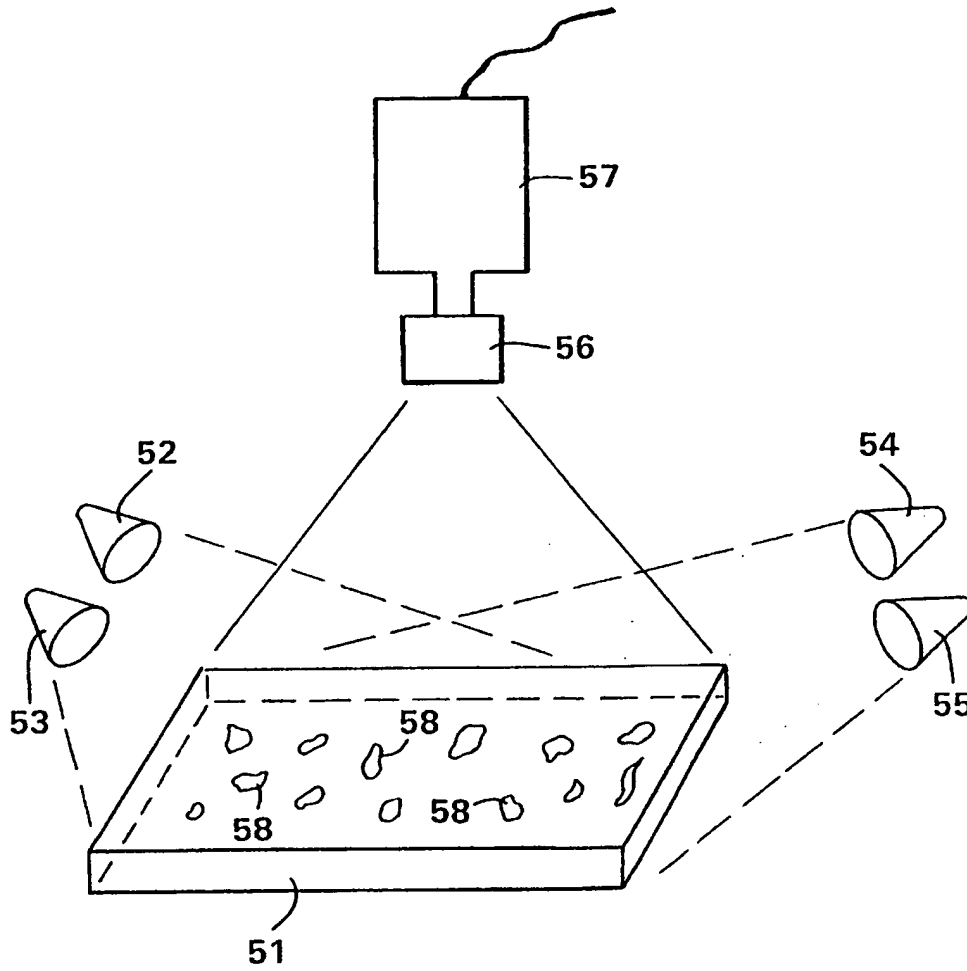


FIG. 5

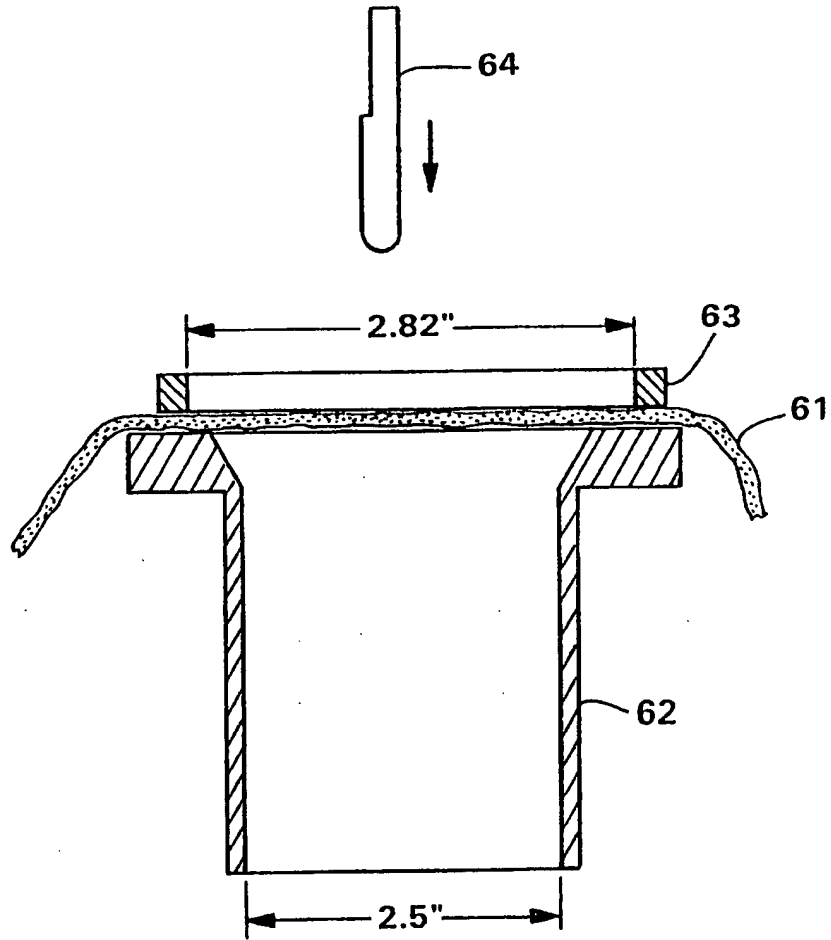


FIG. 6

INTERNATIONAL SEARCH REPORT

National Application No
PCT/US 97/09753

A. CLASSIFICATION OF SUBJECT MATTER IPC 6 A47K7/02 A47K10/16 D21H27/40 B32B29/00		
According to International Patent Classification (IPC) or to both national classification and IPC		
B. FIELDS SEARCHED		
Minimum documentation searched (classification system followed by classification symbols) IPC 6 A47K D21H B32B		
Documentation searched other than minimum documentation to the extent that such documents are included in the fields searched		
Electronic data base consulted during the international search (name of data base and, where practical, search terms used)		
C. DOCUMENTS CONSIDERED TO BE RELEVANT		
Category *	Citation of document, with indication, where appropriate, of the relevant passages	Relevant to claim No.
A	GB 1 510 667 A (DEXTER CORP) 10 May 1978 ---	
A	US 4 755 421 A (MANNING JAMES H ET AL) 5 July 1988 ---	
A	GB 1 259 521 A (KIMBERLY-CLARK CORPORATION) 5 January 1972 -----	
<input type="checkbox"/> Further documents are listed in the continuation of box C.		
<input checked="" type="checkbox"/> Patent family members are listed in annex.		
* Special categories of cited documents :		
"A" document defining the general state of the art which is not considered to be of particular relevance "E" earlier document but published on or after the international filing date "L" document which may throw doubts on priority claim(s) or which is cited to establish the publication date of another citation or other special reason (as specified) "O" document referring to an oral disclosure, use, exhibition or other means "P" document published prior to the international filing date but later than the priority date claimed		
"T" later document published after the international filing date or priority date and not in conflict with the application but cited to understand the principle or theory underlying the invention "X" document of particular relevance; the claimed invention cannot be considered novel or cannot be considered to involve an inventive step when the document is taken alone "Y" document of particular relevance; the claimed invention cannot be considered to involve an inventive step when the document is combined with one or more other such documents, such combination being obvious to a person skilled in the art. "&" document member of the same patent family		
Date of the actual completion of the international search <p style="text-align: center;">19 September 1997</p>	Date of mailing of the international search report <p style="text-align: center;">06. 11. 97</p>	
Name and mailing address of the ISA European Patent Office, P.B. 5818 Patentlaan 2 NL - 2280 HV Rijswijk Tel. (+ 31-70) 340-2040, Tx. 31 651 epo nl, Fax (+ 31-70) 340-3016	Authorized officer <p style="text-align: center;">Songy, O</p>	

INTERNATIONAL SEARCH REPORT

Information on patent family members

International Application No PCT/US 97/09753
--

Patent document cited in search report	Publication date	Patent family member(s)	Publication date
GB 1510667 A	10-05-78	CA 1057600 A	03-07-79
US 4755421 A	05-07-88	CA 1297278 A	17-03-92
		DE 3881121 A	24-06-93
		DE 3881121 T	28-10-93
		EP 0303528 A	15-02-89
		ES 2042784 T	16-12-93
		JP 1097300 A	14-04-89
		PT 88199 B	31-05-95
GB 1259521 A	05-01-72	NONE	